

LL85361-7R-8C-LED

LL85361-7R-9C-LED

7" LED Slim Round Disk Light.

Optional Battery Backup or Empty Casing.

Finishes: White (WH), Black* (BLK), Oil Rubbed Bronze* (ORB),
Brushed Nickel* (BN)

* Limited Light Source/Color Temperature selections in these finishes

Lens: Frosted acrylic layered diffuser

Body Material: Aluminum backplate and plastic heat sink

Dimensions: 7.0" OD x 0.75"H

Light Source:

LL85361-7-8C: 120V/15W/1227lm Del/80CRI/Dimming

LL85361-7-9C: 120V/15.5W/1080lm Del/90CRI/Dimming

Available in 30K or 40K or 5MCT (Selectable: 27K, 30K, 35K, 40K, 50K)

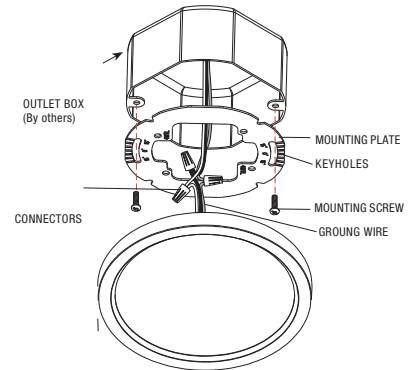
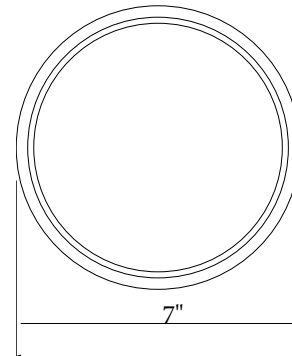
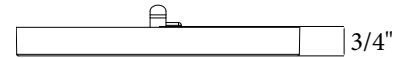
Mounting:

- Mounting bracket included for installation in 3" or 4" J-Box applications
 - Retrofit option available by special order for mounting in recessed 5/6" housing.
- Includes torsion springs and medium base adapter.

See your Lumencia rep for details.

Notes/Certifications/Warranty:

- 120V
- Dimmable TRIA/ELV, 10-100%
- **Energy Star Listed** LL85361-7-9C Versions Only
- **JA8 Listed** for LL85361-7-9C Versions Only
- cCSAus Listed for Wet locations
- Suitable for use in closets when installed in accordance to NEC Section 410.16 (C)(1)
- 50K life Hours
- LED Light Source: 5 Year Limited Warranty
- Non-Electrical: 1 Year Limited Warranty



Part #	Color Temp.	Notes
LL85361-7-8C-WH LL85361-7-9C-WH	30K 40K MCT	White Finish Available in 30K, 40K, and MCT
LL85361-7-8C-BN LL85361-7-9C-BN	30K MCT	Brushed Nickel Finish Available in 30K and MCT
LL85361-7-8C-ORB-30K LL85361-7-9C-ORB-30K LL85361-7-8C-BLK-30K LL85361-7-9C-BLK-40K		Oil Rubbed Bronze and Black Only Available CRI and Color Temperatures Listed

May be available with other voltage, wattage, finish, and cable length options by special order.
Please contact your Lumencia Representative for more information

LL4785-BBU

Battery Back-up Accessory with Test Switch.

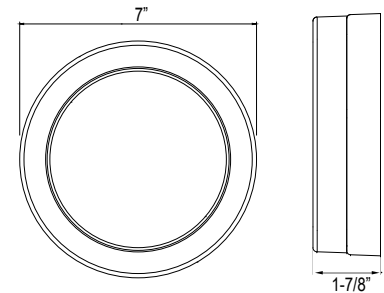
Housing: Durable metal backplate and heat sink to facilitate heat dissipation

Dimensions: 7" x 1.875" adds 1.125" to overall height

Installation: Installs to Standard 3" or 4" J-Box

Battery Backup Module Notes/Certifications:

- 120V
- Non-Switch Loads Only (Always On Applications)
- Battery - 11.1V / 2.6Ah Ni-MH Rechargeable; up to 24 hours charge time
- Emergency Output - 20% of nominal power
- Provides over 120 minutes when normal power fails
- LED Indications - Red - Charging; Green - Fully Charged; Yellow - Faulty
- Operating Temperature - 0°C (32°F) to +55°C (+131°F)
- Test Switch / Charging Indicator Light: 4W-ITS (4-wire illuminated test switch) included on LL4785-EM
- cCSAus Listed to UL924 standards
- Damp Location Rated
- 1 Year Limited Warranty



Emergency Back-Up or Empty Filler Unit

LL4785-EC

Empty Casing for Uniform Profile When Mixing BBU and Non-BBU Units

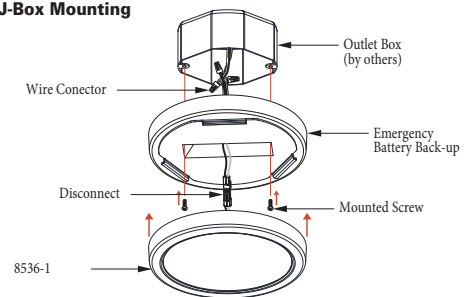
Housing: Durable metal backplate and heat sink to facilitate heat dissipation

Dimensions: 7" x 1.875" adds 1.125" to overall height

Installation: Installs to Standard 3" or 4" J-Box

Warranty: 1 Year Limited Warranty

J-Box Mounting



Part #	Notes
LL4785-WH-BBU	Battery Backup in White
LL4785-BLK-BBU	Battery Backup in Black
LL4785-BN-BBU	Battery Backup in Brushed Nickel
LL4785-WH-EC	Empty Housing in White
LL4785-BLK-EC	Empty Housing in Black
LL4785-BN-EC	Empty Housing in Brushed Nickel

May be available in other wattages, voltages, color temperatures, finishes, and lamping sources with orders of 50 units or more. Contact your rep or the factory for more information.